

Online Posting!



**Your single
sided C/R full
page flyer
posted each
week x 25 weeks
\$10. Each issue
remains online
two years.**

Dan Gill

**P O Box 65
Round Rock, TX 78680**

<http://www.dangillwebads.com>

RETURN THIS AD WITH YOUR REQUEST

LOW COST

FIRST CLASS STAMPS

**We have the list of sources for
stamps! Don't pay \$50!**

Our list is \$10 and 10 stamps.

Free, 20 hot money plans.

Print & Mail

P O Box 3084

Memphis, TN 38173

**THIS MONTH, WE WILL MAIL OUT
100,000 POSTCARDS
AND YOU CAN SHARE IN THE PROFITS!**

**FIND OUT HOW THIS CAN WORK FOR YOU
24/7 OVERVIEW: 1-267-833-0567**

Dear Soon-To-Be a Top Money-Earner:

Have you ever struggled to “figure-out” what is the difference between what the top industry money-earners have been doing and what you’ve been doing? It’s NOT what you might think.

The top money-earners use a little-known marketing technique called “funded marketing” where all of their marketing costs are funded by the marketing system they are using. This usually includes creating and selling books, courses, training, or coaching and is NOT duplicatable for you or your team.

We’ve designed a marketing system that lets you use this “funded marketing” technique without having to write books, run courses or coach anyone...After all, who has the time for all that anyway!?

Introducing: FUNDED MEDIA

Your 100% turn-key Funded Marketing system. If you can mail out at least 100 postcards per month, you can become a top earner AND get a share of all of our company profits too!

The Funded Media system includes:
Automated marketing website & autoresponder
100% automated sales process - no calling required
Grow any direct mail or network marketing business
Share in our company profits - paid weekly

There are many people all over the U.S. that have already joined us...are you next?
We will share 100% of our company profit with you weekly...No strings attached!

www.FundedMarketing.com

Access Code: SAILBOAT885

No Computer? No Problem! Return this flyer and \$2 for full details by mail!

Stephen Chokanis 6285 West 10th Ave. Hialeah, FL 33012

Your Name
Address
City/ST/Zip

Learn More On Compound Investing

R.E.A.L. Opportunity

eddy.speath@drivePlanning.com

770-641-8400



How to Make Mail Order Your Stay-at-Home-Business and... How I Will Pay You to Earn as You Learn!



Hi! My name is Lon Lindsey, and I am looking for those who are interested in making direct mail their stay-at-home business, as well as those who have tried it but have not been successful at it. I am CEO of JAN-L Marketing, Inc. and I will show YOU and will pay YOU to put successful tips and information to work for you.

I have been very successful earning a full-time income, working from my home, using direct mail. I want to show others how they can use and be successful utilizing mail order/direct mail as their stay-at-home business. By applying the tips and techniques I have used and that have made hundreds of mail order entrepreneurs shamelessly wealthy, that is what I am willing to show you and others. Additionally I will show you how to select the right mail-order project that will generate ongoing profits for you, even while you sleep!

How I Will Pay You for Your Help!



The best way to learn is by doing, and I have come up with an amazing plan that will allow you to make money via direct mail as you learn. I am in need of people like you who would be willing to help me distribute my special *How to Make Mail Order Your Stay-at-Home Business* booklet and I will pay you very lucratively to do so. What better way to learn than to earn while you are learning!

I pay 100% for your first sale and 80% for every sale after that. Also, I pay DAILY, so you can begin EARNING MONEY IMMEDIATELY! Additionally, leverage yourself through others with my 1-up plan. Details with kit.

I also make it easy for you to do. All you have to do is hand out or mail out this flyer with YOUR OWN SPECIALLY CODED REF ID# on it. That is how I track your sales, and as soon as I receive such from those who respond, a company check goes right in the mail to you. Additionally, as you use the tips and techniques I provide in my booklet, you will become successful doing what I am doing.

The cost of the booklet is \$25. Don't let the \$25 cost fool you. The information within is worth much more than that, and because people are willing to pay that price for the booklet, it allows me to pay YOU commissions! That's right! I WILL PAY YOU \$25 for your first sale and \$20 for each sale after that.

In order for you to become a distributor for me, I require you to purchase the book as well plus include a book (20) of first class stamps. For distributors to be successful, they must know what they are distributing and must go through the same process their future customers must go through. It's called "Having skin in the game." Besides, you will get 100% of your money back with your first sale plus you are learning how to be successful with direct mail in the process. If you simply want the booklet without being a distributor, just send a \$25 money order.

Yes, I would like to be a distributor of your booklet, *How To Make Mail Order Your Stay-At-Home Business*. I am sending you a \$25 money order made out to JAN-L Marketing, Inc. and one book (20) of first class stamps. I understand this will qualify me as a distributor for this booklet thus qualifying to earn \$25 on my first sale and \$20 on each additional sale. I understand you pay daily by company check. Additionally I will receive this flyer with my REF ID# printed on it.

As an added bonus, if you respond to this offer within ten days, I will include 100 leads of people who are looking for a way to earn income from home via direct mail. They will come on peel and stick labels.

Please Print:

Name _____
 Address _____
 City _____ State _____ Zip Code _____
 Phone Number _____
 Email if available _____

Mail to:
JAN-L Marketing, Inc.
 1917 Antonia Place
 Lady Lake, FL 32159



Lon Lindsey



REF DISTRIBUTOR #: 167494

Questions? Email: lonlindsey@gmail.com or Fax to 502-371-0812



**Cash Flows
Website Glows
Bank Account Grows**

**Earning \$\$\$\$ while I sleep.
Makes every night
so much sweeter.**

**[https://
professorrick.247FASTSTART.COM](https://professorrick.247FASTSTART.COM)**

American Dream Nutrition New Anti-Aging Pill

If you've never made money in MLM Now You Will!

Eleven different Streams of income
Revolutionary Health Products: PhytoZon

PhytoZon is the only Nutraceutical Formula of its kind. IT WORKS!

↓ This is what it will do for you ↓



**We'll Pay
For Your
First
Bottle of
Product!**

- ▶ Increase your energy
- ▶ Improve mental clarity
- ▶ Stimulate your immune system
- ▶ Slow down the aging process
- ▶ Increase libido
- ▶ Decrease inflammation
- ▶ Repair joint health
- ▶ Improve eye and heart health

**Don't forget
about your
health. It is
Important.
PLUS GET
PAID EVERY
MONTH!**

Authentic Testimonials

"I'm J.D. Mills, Tulsa, OK 74132. Ph 918-370-6653 ADN has The amazing PhytoZon that has done wonders for my health. In just a few months my blind left eye began seeing, my knee pain is gone, even my memory is better and I have more energy to take care of my disabled wife 24/7" ADN also has a liquid product called PureAquaMins® that works fast to remove 99.9% of all viruses. Doctor's are excited about this virus killing product.

Dr. Ed Schmidt, PhD. Member of American Dream Nutrition Ph 920-728-7886: "Since I started taking These products, within 6 months my knee pain is entirely gone! My gums feel better. I have an enlarged prostate which has caused horrible problems.. Prostate drugs helped, but since taking these products, NO LONGER NEED DRUGS! Several other ailments are being helped as well. Best of all I have more energy!"

Check it out here at: startmybiznow.com

Join online ↑ or by phone Call 785-534-1470. 9-5 CT. Give Alvin Bradley ID# 28321 Ph 626-689-6008
JOIN ONLINE HERE → www.americandream4me.com/brad Question → 715-445-4769, Pam Wellbrook

↓ FREE ADVERTISING FOR YOU AND FOR THOSE YOU SPONSOR CHECK THIS OUT! ↓

AFTER YOU'VE JOINED AND ORDERED YOUR 1ST PRODUCT, RAY WILL RUN THIS SAME FULL PAGE AD FOR YOU AND YOUR DOWNLINE, FREE, WITH YOUR NAME, SITE & ID# WHERE MINE IS NOW. HE WILL RUN YOUR AD 5000 CIRCULATION IN SHORE TO SHORE OR ANOTHER POPULAR PUBLICATION FOR 2 CONSECUTIVE MONTHS IN A ROW. AND AGAIN 3 MONTHS LATER, FOR AN ADDITIONAL 2 MORE CONSECUTIVE MONTHS. Ray WILL PROVIDE WRITTEN, SIGNED AGREEMENT B4 YOU JOIN. EMAIL, CALL OR WRITE HIM TO RECEIVE COMPLETE DETAILS, OR JUST JOIN. email: raypriceray@yahoo.com, Ph: 626-689-6008- 24 hrs. 7 DAYS A WEEK. ADDRESS: 500 VERMONT ST. ALTADENA, CA 91001 ▶ POST CARDS ARE AVAILABLE ◀

This FREE Advertising Offer May End at Any Time Without Notice



25 BILLION DOLLAR STIMULUS PACKAGE
NATIONWIDE DONATIONS PAID STRAIGHT TO YOU



25 BILLION DOLLAR AMERICAN BUSINESS
DONATE AND GET STIMULUS PACKAGE

PAYS YOU \$250,000 DOLLARS INCOME EVERY TIME

- (1) Send a ONE TIME \$25 Money Order Donation to Each Person Listed in this COVID-19 Stimulus Package that WILL HELP people who are listed in ANY STATE
- (2) You get a new Flyer with your name typeset in the #4 Spot then you move up
- (3) 208 FREE 5 Star Names PRODUCTS People Address to mail your flyer to

10X10X10X10 @ \$25. ea. PAYS YOU \$250,000 DOLLARS EVERY TIME

NOTE: WE DO NOT PROMISE OR GUARANTEE EXACT INCOME IN EXACT TIME.

- [1] ED BROCK 13 RED MILL CT. ST. PETERS, MO. 63376
- [2] THOMAS E. ABRAHAM P.O. BOX 42235 LAS VEGAS, NV. 89116
- [3] BETTY ENGLISH 355 GIRIO TER. APT. 1 WILLIAMSPORT, PA. 17702
- [4] ZEDDIE CARTER 4550 ISABELLE ST. INKSTER, MI. 48141



25 BILLION DOLLAR *American* STIMULUS PACKAGE™ ES26

∞ YOU NEED \$250,000 INCOME EVERY TIME BECAUSE ∞

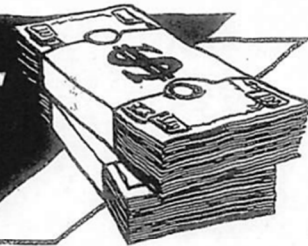
You Like To Buy Expensive Things!

Build your \$income\$ Mail Flyer or Check An EZ-BUILD™ Box. Send Page And Money Order To Manager

5,000 of Your Flyers Printed & Mailed \$55 10,000 Flyers P&M \$95 450,000 Flyers P&M \$200

NAME _____		ADDRESS _____	
CITY _____		STATE _____	ZIP _____
	PAYS YOU	<i>To Buy Your Own</i>	SEND THIS PAGE TO →
	\$250,000		
EVERY TIME	<i>Expensive Things!</i>	13 RED MILL CT.	
		ST. PETERS, MO. 63376	
			GOD BLESS OUR USA

**Earn \$20,000 a month ...
For only \$30.00 !!!**



What if I told you that it is possible for you to earn \$20,000 per month for One-Time Payment of only \$30.00? Would you be interested? If so, please read on...

This program is 100% monitored to prevent any cheating! We'll assist all members in building their permanent downline of 10 associate members.

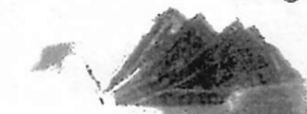
Most Affordable & Explosive Money Maker On The Planet!

Here's How The Program Works!!!

- STEP ONE:** Ten members will pay you a commission of \$10.00 as they join your downline. ($\$10.00 \times 10 = \100.00)
You will then use \$75.00 to pay the upline sponsor that we provide for you.
- STEP TWO:** Each of the same ten members will pay YOU a \$75.00 commission! ($\$75.00 \times 10 = \750.00)!
You will then use \$500.00 to pay the upline sponsor that we have provided for you in step one.
- STEP THREE:** Again, the same ten members will pay YOU a \$500.00 commission! ($\$500.00 \times 10 = \$5,000.00$)!
You will then use \$2,000.00 to pay the same upline sponsor as steps one and two above.
- STEP FOUR:** Those same ten members will each pay YOU \$2,000.00 commission! ($\$2,000.00 \times 10 = \$20,000.00$)!



Join Today!



Start receiving envelope like this full of cash!

After step four has been completed, those same ten members will pay you \$2,000.00 commission on a monthly basis (\$20,000.00 a month in Commission)!! In return, you will pay your upline sponsor a Commission of \$2,000.00 each month. All of this for an initial investment of only \$30.00!!

Join Today.....Everyone Is Welcome!!! Free Monthly Downline Reports!

To become a member and get started **FAST** : Fill out this membership application below and mail it along with \$20.00 Cash or Money Order Only to the Monitor, (No Checks). Also send a copy of this flyer and \$10 Cash or Money Order Only (No Checks) to the person listed in Referrer Box. **Monitor will VERIFY that payment have been made to the Referrer. Upon confirmation of payment, you will receive your own copy of this flyer with your Name & Address in Referrer Box. Also the Monitor will Print & Mail this flyer to 100 opportunity seekers with you in Referrer Box.**



**Monitor: Z.A.C. Marketing
1508 Coral Cut Off
Azle, TX 76020**



Date _____

NAME _____

ADDRESS _____

CITY/ STATE/ZIP _____

PHONE _____ EMAIL _____

REFERRED BY (ID#1743):

**ALVIN BRADLEY
815 E ST UNIT 12026
SAN DIEGO CA 92112**

How To Make Money Buying & Selling Used Cars & Trucks

**8 pages of rock solid information that detail how
and where to buy low cost vehicles, how to sell,
profit margin, licenses And much more!**

**Plus, as a bonus a special one page addition of
personal experience of one man!**

**Suggested price by the author is \$10.00 but return
this circular and pay only \$5.00. Just scribble
your name & address below (or use a return
address label) and return to:**

**Benny Rayborn
1111 Hwy 29
Wiggins, MS 39577**



If You Can Mail Postcards...You Could Easily Generate Some

SERIOUS CASH FROM HOME!



Cash Building System Unlimited



8 levels, 2 pay positions per level, \$25 fast start bonus
spillover bonus, upgrade bonus, residual income plus
200 free postcards and 200 free leads when you start!

NO Cold Calling*NO Personal Selling*NO Explaining! Mail Our Postcards And Let The System Do The Work FOR You!

Phase 1 - \$50 is all it takes to get you on the road to financial freedom!

For your \$50 you will receive **200 free postcards and 200 free leads**

When you want to make bigger money simply upgrade to **Phase 2**

Phase 2 - When you upgrade to **Phase 2** you will be placed in Position 1.
When someone signs up under your ID Number they go in Position 1 and
you move to Position 2. Below are the **Phase 2** entry fees & commissions.

	Entry Fee (Phase 2)	Position #1 70% commission	Position #2 20% commission	JD Marketing 10% commission
Level 1	\$100	\$70	\$20	\$10
Level 2	\$500	\$350	\$100	\$50
Level 3	\$1,000	\$700	\$200	\$100
Level 4	\$1,500	\$1,050	\$300	\$150
Level 5	\$2,000	\$1,400	\$400	\$200
Level 6	\$2,500	\$1,750	\$500	\$250
Level 7	\$3,500	\$2,450	\$700	\$350
Level 8	\$5,000	\$3,500	\$1,000	\$500

Note: (Your Commissions will depend on your level and new members levels)

When you join Phase 1 you will receive a Phase 2 upgrade form with information
on your sponsor and the exact amount of money needed per level.

Complete your information and return this flyer with \$50 membership fee to:

JD.MARKETING - P.O. BOX #353 - Senecaville, OH 43780

Name: _____ Referral ID#901

Address: _____ Date: _____

City: _____ State: _____ Zipcode: _____

Phone: _____ Email: _____

24-HOUR RECORDED INFORMATION LINE: (800) 809-3523
WATCH THIS POWERFUL VIDEO FOR FULL INFORMATION & SIGN UP!

www.CashBuildingSystemUnlimited.com

HAVE MORE QUESTIONS? CALL 740-680-2493

MILLIONAIRES CLUB!

“1,700 new U.S. millionaires are created daily.”

That’s right, daily! Make no mistake, in today’s day and age, attaining millionaire status is easier than most uninformed folks are led to believe. With the right timing and business opportunity you too can potentially strike it rich, and in record time. I invite you to join this “Exclusive Club”



and get involved in the multi-billion dollar industry that can and will put an end to all your money problems once and for all. For exclusive details, drop everything you’re doing and head over to this website at once:

www.Millionairespay.com/gw306.htm



The *Ultimate* **MAIL ORDER PROFIT**



Say "Hello" to a New Way of Life!

10,000 Flyers Mailed For You FREE On All 3 Levels!

When you join us: We Print & Mail 10,000 Flyers Like This (One Time) with Your Name And Address in #1 Position. When Prospects Join, We Print & Mail 10,000 Flyers for Them FREE with Your Name In Position #2. Your Flyer Keeps Getting Mailed To 10,000 Again and Again when you are in Position #1, Position #2, and Position #3, (10,000 One Time Only). **NOTICE:** ACE LANFRANCO's 120,000 Printing and Mailing has not produced any responses at all. So we are changing the P&M to 10,000 !

10,000 FLYERS COULD BE PRINTED AND MAILED WITH YOUR NAME IN THE #1, #2 AND #3 POSITIONS !

Level 1 - I print & mail 10,000 for everyone. If everyone gets 1/10 of a 1% response --That's 10 people x \$100 = \$1,000.00
 Level 2 - These 10 do the same and get 10 each with you in #2 Position -- That's 100 New people x \$100 = \$10,000.00.
 Level 3 - These 100 do the same and get 10 each with you in #3 Position -- That's 1,000 New people x \$100 = \$100,000.00
(Possible) GIFTS = \$111,000+/- Advertise every month and You could do better than this each month



YOUR NAME ON 10,000 FLYERS, BRINGING YOU \$100 CASH GIFTS!
 ALL \$100 CASH GIFTS COME TO YOUR FRONT DOOR or Your Mailbox.
 No orders to fill, No Checks to cash. All Envelopes come with \$100 Cash.
 Send \$100 CASH and a flyer to each Member listed Below, and to the Monitor.
 The \$100 Cash is a free GIFT to the 3 members to help with the Rising Living Costs.

Send CASH Only! No Checks. Put your \$100 Cash in a small envelope with name label. Must include a copy of flyer and mail them in a #10 Envelope.

SEND \$100 CASH TO THE MONITOR: Larry L. Mann ♦ P.O. Box 497 ♦ Bell Buckle, TN 37020

- #1. **SEND \$100 CASH To:** William Caufield 1600 W Lawndale #203 San Antonio TX 78209
- #2. **FREE SPACE -- NO ONE HERE -- SAVE \$100**
- #3. **FREE SPACE -- NO ONE HERE -- SAVE \$100**

Your \$100 is a Gift, so we do not demand nor verify payments. (Cheaters will lose free P&M)
 All Rights Reserved without Prejudice UCC 1-308, LLM, 2018 Disclaimer: No guaranteed amount of Gifts. (Dm-umop)
 (Please Print your name & address clearly on the small envelope containing your \$100 cash as you want it listed on your flyer)



NOTICE

**IF DISASTER STRIKES, WILL YOU
AND YOUR FAMILY BE PREPARED?**

**US GOVERNMENT URGES ALL
AMERICANS TO PREPARE THEIR
EMERGENCY KIT NOW!**

Visit

WWW.INFINITYSURVIVAL.NET

or

Call (641) 715-3900 ext 755596#

**FREE !! SHIPPING COUPON
CODE MD2254**

**THE SURVIVAL INDUSTRY IS
BOOMING.**

**FREE!!
AFFILIATE PROGRAM AVAILABLE.**



The Treasure At The End Of The Rainbow!

Everyone can reach the end of the Rainbow, As long as each one gets just "5" New Sign-Ups.

There are 5 people listed below, each one has paid to be there. This is monitored so everyone is guaranteed to receive, as all funds are mailed directly to YOU! The total cost is **Only \$100.00** (with a full page of members).

When you join, your name will be added to the list in the #1 Position and all others move over one position. You do not remove any names or add your name to the list, you will receive a new copy from the monitor with all typesetting complete. Plus, you will receive a product for your funds, a mailing list of **90 High Quality** buyers names on peel & stick labels, plus our publication, a **Helpful Hints Guide** and a report on **How To** mail to **1,000** with **EASE!** Plus, the typesetting is our service to you. This keeps the program honest and legal, as you earn a commission for the sale of these products. You follow the Rainbow to reach the **Treasure** at the end!

Please Note, the monitor calls to confirm funds received. You could be well on your way to **\$132,000** by only bringing in just 5 new members. 5 who get 5 for 5 Positions Across The Rainbow = **\$132,850.00!!** Get more than 5 and receive **MORE!** As there is **No Limit!** Bring in **10, 15 or 20** for even **Bigger Profits!**

You send the members in each position the cash amounts listed above their name, wrapped in a copy of this page. You may send the Commissions in **Cash or Money Orders**. What is the earning potential, **Look Right Here:**

• Here's How You Earn: •

Position #1, get 5 and receive **\$100**. **Position #2**, 5x5 = **\$250**. **Position #3**, 5x25 = **\$1,250**. **Position #4**, 5x125 = **\$6,250**. **Position #5**, 5x625 = 3,125 x **\$40.00** = **\$125,000.00**. For a total of **\$132,850.00!** These figures are with a perfect scenario, meaning everyone gets their Five new sign ups. Don't put it off, Join Us **TODAY!**

#3 Send \$10

Jerry W. Caines (#1)
519 West Virginia Road
Georgetown, SC
29440-2220

#4 Send \$10
No One Here, Yet
Save
\$10.00

#5 Send \$40
No One Here, Yet
Save
\$40.00

Here's How To Join:
Send the member in #1 - **\$20.00**.
Send members #2, #3 & #4 - **\$10.00 Ea.**
Send #5 - **\$40.00** in Cash or a Money Order.
Send all concealed in a copy of this page to members.
Next, you will send the monitor **\$10** and this page or a copy,
and in few days you will receive everything you need
to get started. Join Us **TODAY! Thanks!!**

#2 Send \$10

Kenneth Freksen (#20)
178 Southfork Drive, SE
Kasson, MN
55944

#1 Send \$20

William Caufield (#30)
1600 W. Lawndale Dr. #203
San Antonio, TX
78209-1930

"Fill Out" or use a "Return Label" to join The Rainbow.

Name: _____

Address: _____

City/State/Zip: _____

Ph: ☎ _____

Return this page or a copy with \$10 in Cash or Money Order To:

Fantasy Masterworks
P.O. Box 1275
Georgetown, SC
29442-1275

"The Rainbow" #30

You must understand that you are an Independent Contractor and responsible for possible federal, state and local income taxes. Any income you receive, comes from the sale of the Mailing List & the reports (the products) Only and not from simply enrolling people and from the service of the typesetting. Understand, No income or claims are expressed or implied. You must be 18 years of age or older to participate. Please Void Where Prohibited By Law!

LOOK!

GAS & GROCERY PRICES have gone up & they continue to rise. **FREE TO JOIN.**
Help people **SAVE Money** and get rewarded.



Save up to 25 cents per gallon and more each time you get Gas. Refer others-Get 15 cents per Gallon per Referral. Plus 1 cent a Gallon for every Gallon they Buy-FOREVER! Plus, 1/2 a cent per Gallon on All their referrals-FOREVER!

<http://my nexusrewards.com/visionary19>

Start Earning an Additional Average of 6% Cash Back on Shopping Purchases at over 250 Retailors Nationwide, Restaurants, Travel Brands and more. Savings of up to 80% on Prescriptions. More Cash Back from everywhere you shop. Online & Offline. Share the Nexus Rewards Products & Opportunity with others and your potential earnings are unlimited.

JOIN FOR FREE. Get Rewarded for being a customer and Using the Apps. Share the opportunity for **FREE** and make Money with others who are saving money. Just share Your referral links. Earn Residual income by helping Others **EARN & SAVE MONEY.**



<http://www.my nexusrewards.com/visionary19>

Visionary Marketing 614 Washington St, Lynn, MA 01901



360

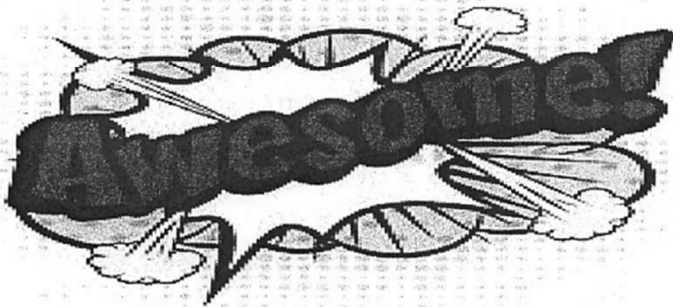


FRESH NAMES On Peel&Stick Labels!

These are names of people who have ordered our products or sent us their offers.

**THEY ARE ACTIVE
IN MAIL ORDER!**

This offer is limited to one person per household.



\$40

Less than
12 cents
per name!

Name.....
Address.....
City.....State.....
Zip.....

A lot of people are making a lot of money with this ad!

YOU GET...

90 Fresh Names on peel&stick labels mailed to you every week for 4 straight weeks.

YOU ALSO GET...

90 Color Teaser Labels that get your envelopes opened FAST mailed to you for 4 straight weeks.

YOU ALSO GET...

90 Color Return Address Labels imprinted with your name and address mailed to you for 4 straight weeks.

YOU ALSO GET...

Free Dealership with your name and address imprinted on 2 Full Page Color Ads. You make \$20 on every order. All orders come straight to you. You get paid first.

**MAKE MONEY SELLING
OUR FRESH NAMES!**

Send this ad with \$40 Cash or money order(no checks) & 1 book of 20 First Class Forever Stamps to:

William Caufield
1600 W Lawndale Dr #203
San Antonio, TX
78209

USPS FOREVER STAMPS

"NEVER PAY RETAIL AGAIN"

AS LOW AS 15¢ PER STAMP!

<u>QUANTITY</u>	<u>PRICE PER STAMP</u>	<u>TOTAL PRICE</u>
300 (3 rolls)	.25 CENTS	\$75
500 (5 rolls)	.23 CENTS	\$115
1000 (10 rolls)	.20 CENTS	\$200
2000 (20 rolls)	.18 CENTS	\$360
5000 (50 rolls)	.15 CENTS	\$750

POST CARD STAMPS

AS LOW AS 15¢ PER STAMP!

<u>QUANTITY</u>	<u>PRICE PER STAMP</u>	<u>TOTAL PRICE</u>
500 (25 sheets)	.20 CENTS	\$100
1000 (50 sheets)	.18 CENTS	\$180
2000 (100 sheets)	.15 CENTS	\$300

All Forever Stamps come in rolls of 100.

All Post Card Stamps come in sheets of 20.

All orders are shipped within 24 hours via USPS PRIORITY with tracking.

Shipping charges are included in total price.

Affiliate Program - 10% Commission on all orders! (Not allowed to be your own customer.)

NAME: _____

ADDRESS: _____

CITY, STATE, ZIP: _____

PHONE: _____

EMAIL: _____

ORDER ONLINE: www.LeadsByMountainMarketing.com

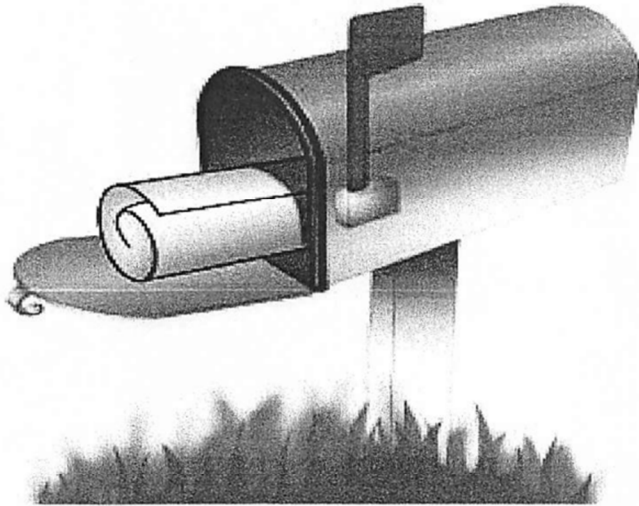
BY MAIL: Cash or Money Order Only!

MOUNTAIN MARKETING * PO BOX 63045 * COLORADO SPRINGS CO 80962

(719) 488-2113

Referred By: **RON D. WILLIAMS**

6800 First Class Stamps!



Quickly generate postage for your direct mail business.

Mail this ad until you sponsor 4 people. You don't have to do anything else.

DO NOT SEND ANY MONEY!
This offer is for
First Class Stamps only.

Name.....
 Address.....
 City.....State.....
 Zip.....

Print clearly or use label.
Do not alter this ad in any way.
Do not put tape on any stamps you send.

This ad is a proven winner.
Include this ad in your outgoing mail.

Use this ad to create a steady stream of First Class Stamps.

Send a copy this ad with 1 book of 20 Forever Stamps to everyone below.

Monitor:
E J Dover
PO Box 1358
VA Bch, VA 23451

1. William Caufield
1600 W Lawndale Dr #203
San Antonio, TX 78209

2. Free Space

3. Free Space

4. Free Space

The monitor will send you 2 Color Master Copies of this ad with your name listed in the #1 spot, and the others moved down. You will also get 120 Fresh Names on peel and stick labels and 1 set of Color Teaser Labels for your envelopes.

Sponsor 4 people-you get 4 books of stamps
When those 4 sponsor 4 each-you get 16 books
When those 16 sponsor 4 each-you get 64 books
When those 64 sponsor 4 each-you get 256 books
340 books=6800 Stamps!

Once you set this thing in motion you won't be able to stop it!



“\$10 Times 3!!”



Make Over \$84,000 ~ \$10 At A Time!

**Would you like to make that much
“CASH” WITHIN 90 DAYS?**

This opportunity that is being presented to you is unique and a money making phenomenon! Here is why:

FIRST - The response rate has been in the 10% rate [That Is **UNHEARD Of** In This Business].

SECOND - There are only 3 levels (not 4, 5, 6, or 10). That would take months to see final results!!

PLEASE KEEP READING:

If you choose to participate, you will be sending out this program to people who are already in Multi-Level Marketing and Not Opportunity Seekers! They will realize this program is a lot better, a lot faster, requires very little work, with a response rate of about 10% and a return of Thousands in about 90 Days! **It's \$10 Times 3 Positions** that will keep the \$10 Bills coming in a steady flow. So, whether you have been in or are currently participating in an **MLM... YOU HAVE GOT TO GIVE THIS OPPORTUNITY A TRY!**

INSTRUCTIONS:

1. Send **\$10.00** in **CASH** to **EACH** of the 3 Names on the list below. **Note:** If you can, send a copy of this page and **Wrap** it around the **\$10.00 Bill** and Mail one copy to each of the 3 Names on the list at the bottom of this page. Can't get a copy, just send a note, I have joined you in **“\$10 Times 3!”**

2. You'll receive a Professional Typeset copy with the current name list with your Name & Address in the 1st position (you'll receive 2 copies). Fill out your Name & Address in the form below and mail **\$10.00 To:**

Fantasy Masterworks, P.O. Box 1275, Georgetown, SC 29442-1275. Please Note: We do all the typesetting & Monitoring of this program. All that join will also receive **90 Names** on Peel & Stick Labels to help them get a **Great Start**. Plus, **Instructions, A Helpful Hints Guide** and a Report on **“Now To Mail To 1,000 With Ease!”**

3. When you receive your copy, have 200 - 500 or more copies of this entire page made and send them out immediately! There are no restrictions on sending out copies of this program, because there are millions of people currently participating in MLM and millions more are joining every month.

“HOW ARE YOU GOING TO MAKE MONEY??”

Let's say you send out 200 copies (with normal response rate of about 10%).

1st Position: 200 copies X 10% = 20 Participants X \$10 = **\$200.**

2nd Position: 20 Participants X 200 copies X 10% = 400 Participants X \$10 = **\$4,000.**

3rd Position: 400 Participants X 200 Copies X 10% = 8,000 Participants X \$10 = **\$80,000.**

FINAL RESULTS: 8,420 X \$10.00 = **\$84,200 IN CASH!!**

This is Just **EXAMPLES**. The examples assume that everyone will be sending out the same number of copies and achieve the same results. In a perfect world that would be true, but as you know, there are no guarantees in life. **REMEMBER THIS - AS YOU SOW - SO SHALL YOU REAP!!! ... Start Mailing!!!**



Be **HONEST!** Follow all the instructions exactly as written! No longer will the lack of money hold you back... You will soon be living *The Good Life!* **DON'T MISS YOUR CHANCE TO JOIN THIS....**

(This program is 100% Legal ~ Refer to Title 18, Section 1302 of the U.S. Postal Laws.)

Send \$10.00 To: Fantasy Masterworks, P.O. Box 1275, Georgetown, SC 29442-1275 Return Entire PAGE.

NAME _____

ADDRESS _____

CITY, ST, ZIP: _____

#1

#2

#3

Christopher Rizza (#36)
42 Moonpenney Drive
Boxford, MA
01921

Brian D. Kelley (#21)
447 Majestic Oak Drive
Garner, NC
27529

Jerry W. Caines (#1)
519 West Virginia Road
Georgetown, SC
29440-2220

Send Each Member \$10.00 In CASH!

(#36)

BIG SIZE AD-SHEET

Mailed First Class By Co-Publishers.

→ Co-Publish This Adsheet! **YOUR AD WILL NEVER DROP OFF!**

First AD order \$5 CASH per AD. Thereafter Only \$2 CASH per AD! (\$3 Overseas)
1 1/2" AD ENLARGED to 2x4" AD. Send 1st AD order & a copy of This Adsheet to Co-Publisher who send \$2 per AD (\$3 Overseas) to the Prime Publisher.

When you send in customer's AD, YOUR OWN AD will appear right under Their AD.

Co-Published By: **William Caufield, 1600 W Lawndale Dr #203, San Antonio, TX 78209**

20 PUBLICATIONS TO ADVERTISE IN!

1" - \$20, 2" - \$20, 3" - \$20, 4" - \$30
2X5" - \$40, 3x8" - \$60, 5x8" - \$80, 8x11" - \$100

William H Caufield

1600 W Lawndale Dr #203, San Antonio, TX 78209

The Aloha 5000

5,200 CIRCULATION.

Published Monthly Since 1994.

1" = \$10, 2" = \$20, 3" = \$30

4" or 2X5" = \$40

50% Dealership Included!

Akiko Frazier, 98-838B Kaonohi St. Aiea, HI 96701

DOLLARMANIA

Send \$40 CASH To: No One Here Yet

Send \$20 Cash & This Ad to:

AKIKO FRAZIER

98-838B KAONOHI ST. AIEA, HI 96701

Get 12-1" "Dollarmania" Ad like This with Your Name & Address. We run your AD to 5,000.

Typeset & Advertise

1" AD—12 copies—\$6

2" AD — 6 copies—\$10

New AD run in Aloha Connection!

AKIKO FRAZIER

98-838B KAONOHI ST. AIEA, HI 96701

8X11" FOR 1-FULL YEAR

ONLY \$40!

We Print Your 1-Sided Circular & Mail to
Real Buyers in our Popular Big Mails
FOR 1-FULL YEAR!

Dealership C/R Ads included. Fast C/C.

Akiko Frazier, 98-838B Kaonohi St. Aiea, HI 96701

Aloha Daily Advertiser

C/R Ads Mailed-Daily for 1-FULL YEAR!!

To Responsive Buyers By First Class!

1" = \$10, 2" = \$16, 3" = \$22

2X5" = \$32, 3x8" = \$64, 8x11" = \$160

50% Dealership Included!

Akiko Frazier, 98-838B Kaonohi St. Aiea, HI 96701

FREE REPORT!

AT LAST FINANCIAL SUCCESS CAN FINALLY BE YOURS! Was \$20 → Now Yours FREE!

Still looking for an easy way to make BIG money? If you are, YOUR SEARCH AS FINALLY ENDED! You are now reading what is probably the most honest and easiest method you will ever see for making HUNDREDS OF DOLLARS each and every month! No chains, commissions or dealership, just a simple, honest program where you get to keep ALL THE MONEY! Simply put, we've created a PHENOMENAL product that is in explosive demand and the supply of buyers is virtually unlimited! This fantastic product is so desperately needed that you will hardly believe your eyes watching all these HUGE CASH ORDERS POURING IN EVERY DAY!

THE FASTEST MONEY MAKING SYSTEM IN MAIL ORDER HISTORY!

FINALLY! A PROGRAM THAT WORKS! Our phenomenal product combined with an unlimited market of buyers will allow you to make Hundreds of Dollars a day starting as soon as next week! Most "Opportunity Seekers" who read this offer will respond instantly! Many will be so enthused and excited that they will send you their orders "Overnight Express!" People everywhere are receiving an 8% or better response rate with our product! This proven system is truly a sensible way to realistically make HUNDREDS OF \$\$\$ A MONTH!

FACTS! PROOF! YOUR DIRECT CONNECTION TO INSTANT WEALTH!

When my company first conducted our mail tests, the results were used to simply increase our response rate having a systematic way to making money by mail. I never realized that a 15% response rate was possible until we finished our tests. Then I realized something exciting! There are over 5 MILLION new "Opportunity Seekers" who get involved in mail order each year, and each one would desperately need this HOT REPORT! Excited with my new idea, I quickly printed up some circu-

lars advertising my test offer. Within two weeks after sending out my circulars, an amazing thing occurred! I was flooded with HUGE CASH ORDERS! I started receiving so many orders and so much cash, that I actually felt guilty for a little while! It was then that I realized that my ingenious product is simply a GOLD MINE of unlimited size and scope!

GET STARTED FAST!

I'm sure you can see the gigantic marketing potential of this fantastic mail order product! With over 5 MILLION new buyers each year, there is simply NO COMPE-TITION, and the market is virtually untapped! Now you can start making HUNDREDS of DOLLARS a month and every month by marketing the same product as I do! There are no tricks or gimmicks, just a desperately needed product with an unlimited market!

When you receive this amazing report, I'll also include full Reprint Rights and marketing instructions! You will also receive a camera ready copy of my circular so you can get started making money right away! On every order you receive, YOU KEEP ALL THE MONEY! No dealerships, chains, or 50% commissions. YOU KEEP IT ALL!

The regular cost for our report is \$20. If you your order in the next 14 days, you may have our most

PROFITABLE & ORDERED Report ABSOLUTELY → FREE! Try this phenomenal program out just once. Simply send out a test mailing of only a few hundred and just watch the cash orders pour in every day! Once you have tried it, you will never want to stop! Even if you are not interested in operating this fantastic program, you owe it to yourself to purchase this FANTASTIC REPORT and apply this powerful information to any money making program you are now offering!

ACT NOW → ORDER TODAY!

JACKSON
1259 E. 58th STREET
LOS ANGELES, CA 90011

() Yes, I would like to start making Hundreds of \$\$\$ each Month by Marketing your REPORT! You'll received this flyer for FREE! Enclose are my \$2.00 Cash for Shipping & Process.

Name _____

Address _____

City _____

State _____

Zip _____

All orders shipped within 24 hours in a 9x12 envelope!

CASH is King

I'M GOING TO SHOW YOU THE MONEY!

We're talking about "Cash Money"...

NOTHING TO BUY OR SELL!

This is the easiest, most productive program ever. All it takes is a ONE-TIME cash donation of just \$250 to set the program in motion. Imagine going to your mailbox and finding hundred dollar bills for you to do with as you please. This is not a loan program or anything like that. The money you get is yours to spend or save or give away as you choose. YOU WILL LOVE THIS PROGRAM!

To get started send your ONE-TIME donation of \$250(cash only)to the member listed below. You will receive complete step-by-step instructions on how your new "CASH IS KING" program works.

***You will be amazed by the simple genius of
"CASH IS KING".***

**Send your CASH IS KING
donation to:**

Jessica Love
816 Lambuth Blvd Apt 205
Jackson TN 38301
731-234-5764

please print clearly OR use an address label

your name _____

your address _____

your city/ST/zip _____

FREE MAILING LIST!

Want Lots of Mail? We'll Place Your Name on the FREE Mailing List Below!

You will receive dozens of money-making opportunities for only \$2.00 plus 3 First Class Stamps. Also... you can make money while providing this opportunity to others! We'll set you up as a dealer, like the one below. You keep all the money! Prime-source fills the order for the 3 stamps!

RECEIVE MONEY MAKING OPPORTUNITIES! GET LISTED TODAY!!!

___ YES! Please list my name on this FREE mailing list! Also send me a copy of this flyer with my name as a dealer. Enclosed are two \$1 bills plus three current First Class Stamps!

Name: _____

Address: _____

City/State/Zip: _____

DEALER: Barb Jackson • 1259 E. 58th St. • Los Angeles • CA 90011-4825

FREE CASH!

Send me a \$1.00 bill and a SASE for
Details on HOW you Get LOTS OF IT!

Jackson Barb
1259 E 58th St. Los Angeles, CA 90011-4825

Barb Jackson
1259 E. 58th St.
Los Angeles • CA • 90011-4825

Dyas Roberts
PO Box 59
Quincy • IL • 62306

Frank Lofton • (252) 243-9665
PO Box 1791
Wilson • NC • 27894

Cloyd L. Comla
PO Box 280
Woodruff • UT • 84086

Barry Olson
N4093 Park Rd.
Brodhead • WI • 53520-9660

Richard E. Midkiff
7700 Stones Trailer Ct. #A2
Hamlin • WV • 25523-1819

Richard O'Connor
1 Broander Pl.
Keansburg • NJ • 07734

Gregory Evans
PO Box 37255
Honolulu • HI • 93837

Walter Ezyk
576 Nassau St.
Orange • NJ • 07050-1232

Don Stevens
PO Box 111
Wilkesville • OH • 45695

Beth Broderson
273 Shawmont Ave. Apt. C
Philadelphia • PA • 19128

Jonathan Miller
PO Box 50327
Eugene • OR • 97405

David Lee Ford
7 Clayton St. Apt. #2-G
Montgomery • AL • 36104

Marguente Strong
PO Box 7041
Grand Rapids • MI • 49510-7041

Ruth Hormelaz
227 E. Powerline Rd.
Safford • AZ • 85546

J. Salguero
1621 Bay Rd. Apt. #605
Miami Beach • FL • 33139

Pleasant Mail Sales
1359 Chandlers Rd
Felton • DE • 19943-2457

Ken Gunby
2034 W Hyde Dr.
Deltona • FL • 32738

Daryl Walker
PO Box 408823
Chicago • IL • 60640

H. Wilson
PO Box 3010
Dayton • OH • 45401-3010

Darrell R. Hicks
PO Box 547
Goldsboro • NC • 27530

Bill Dion
227 Mountain Home Park
Brattleboro • VT • 05301

Marvin Horton
PO Box 3216
Dayton • OH • 45401-3216

Bob Whitson
1728 North 17th St.
Bessemer • AL • 35020

Raul Torres
6742 Omega Dr.
San Diego • CA • 92139

Michael R. Boone
11514 N. Belsay Rd.
Clio • MI • 48420

Leo Crump Jr.
PO Box 740
New Bern • NC • 28563

John Forlano
905 Martina Ct.
Myrtle Beach • SC • 29579

Robert Zellers
1001 East Maple St.
Lebanon • PA • 17046-2238

Carol Stone
3654 Horth Ct.
Indianapolis • IN • 46235

Marvin Jones
313 S. Holland St.
Blytheville • AR • 72315-3532

Larry Boger
PO Box 123
Powhatan Pt. • OH • 43942

Kersey Hamilton
PO Box 2184
Palestine • TX • 75802

Carl Boyer
1880 22nd St. NW #3
Cleveland • TN • 37311

Allen Johnson
4 Rosea Dr.
Pensacola • FL • 32507

Francis S. Sanford
21 Cattle Ct. Apt. 8A
Plymouth • MA • 02360-4354

Jim DeJohn
PO Box 675
Newark • NY • 14513

Leon T. Grant
7714 Old Jacksonboro Rd.
Jericho • SC • 29426

Phillip Stallworth
797 Co. Rd. 42
Peterman • AL • 36471

Daniel T. Elliott
11115 Ridgehaven Dr.
Keithville • LA • 71047-8703

CASH is King

I'M GOING TO SHOW YOU THE MONEY!

We're talking about "Cash Money"...

NOTHING TO BUY OR SELL!

This is the easiest, most productive program ever. All it takes is a ONE-TIME cash donation of just \$750 to set the program in motion. Imagine going to your mailbox and finding hundred dollar bills for you to do with as you please. This is not a loan program or anything like that. The money you get is yours to spend or save or give away as you choose.

YOU WILL LOVE THIS PROGRAM!

To get started send your **ONE-TIME** donation of \$750(cash only)to the member listed below. You will receive complete step-by-step instructions on how your new "CASH IS KING" program works.

***You will be amazed by the simple genius of
"CASH IS KING".***

Send your **CASH IS KING**
donation to:

Jessica Love
816 Lambuth Blvd Apt 205
Jackson TN 38301
731-234-5764

please print clearly OR use an address label

your name _____

your address _____

your city/ST/zip _____

FREE POSTAGE STAMPS...
simply by mailing THIS circular!

FREE STAMPS FOR YOU

Return this coupon with your Name and Address and 20 First Class stamps and we will send you 2 pages of Camera Ready copies of this coupon (3 on a page). Have your printer make copies and include a copy in all your mailings. Only one response gives you money back. The rest of the stamps are FREE !! Send this Ad and 20 F/C stamps to: ↖

Name (please print) _____
Address _____
City _____ State _____ Zip _____

Jackson
1259 East 58th Street
Los Angeles, CA 90011

FREE POSTAGE STAMPS...
simply by mailing THIS circular!

FREE STAMPS FOR YOU

Return this coupon with your Name and Address and 20 First Class stamps and we will send you 2 pages of Camera Ready copies of this coupon (3 on a page). Have your printer make copies and include a copy in all your mailings. Only one response gives you money back. The rest of the stamps are FREE !! Send this Ad and 20 F/C stamps to: ↖

Name (please print) _____
Address _____
City _____ State _____ Zip _____

Jackson
1259 East 58th Street
Los Angeles, CA 90011

FREE POSTAGE STAMPS...
simply by mailing THIS circular!

FREE STAMPS FOR YOU

Return this coupon with your Name and Address and 20 First Class stamps and we will send you 2 pages of Camera Ready copies of this coupon (3 on a page). Have your printer make copies and include a copy in all your mailings. Only one response gives you money back. The rest of the stamps are FREE !! Send this Ad and 20 F/C stamps to: ↖

Name (please print) _____
Address _____
City _____ State _____ Zip _____

Jackson
1259 East 58th Street
Los Angeles, CA 90011

RECEIVE UNLIMITED FREE GASOLINE !!!

NEED HELP PAYING FOR GASOLINE, GROCERIES, AND WHEN YOU EAT AT YOUR FAVORITE RESTAURANTS ?

Become a Lifetime Member and never, EVER pay for gasoline again with your hard-earned money!



GET UNLIMITED PRE-PAID Gasoline cards Over and Over Again! Plus FREE GIFTS to all new members (1). Receive \$1,000 value Grocery coupon book (save up to 50% on your grocery bills). (2). Receive a \$1,000 value Restaurant coupon book (save up to 50% any time you eat at your favorite Restaurants such as A&W Restaurant, Baskin Robbins, Captain D's, Boston Market, El Chico, Hardee's, Little Caesar's, Pizza Hut, Popeye's Chicken, Quizno's, Sonic, Blimpie, Dairy Queen, Applebee's, Arby's, Burger King, Chili's, Golden Corral, KFC, Long John Silver, McDonald's, Olive Garden, Perkins, Red Lobster, Ruby Tuesday, Subway, Taco Bell, Wendy's, Western Sizzlin, Chick-fil-a) and much, much more... at over 80 Restaurants.



SPECIAL SELECTION: We are also offering this choice for all new members that don't have cars or prefer cash instead of gas cards.

Please select the one you would like to receive each time: () FREE GAS CARDS or () CASH



FREE GASOLINE!

Never pay for gasoline again with your hard earned money. Join our "FREE GAS CARDS CLUB" today and start getting all the FREE gasoline you need for all your cars, trucks, RV, camper, boat, lawnmower or motorcycle. As a member, you will receive a master copy of this coupon (3) in a page with your own code number on #1 position and a FREE \$5 GAS CARD. Just make copies of your coupon and start giving them away to your friends, co-workers, enclose each coupon in all your out going mail and to anyone you know. As you refer someone to our club, your code number will be moved to the #2 position and then the #3 position. Your code number could literally be on thousands of coupons at any given time. Example: Refer only 10 people who refer 10 who refer 10 and you receive \$5,550 worth of FREE gas cards. You could be receiving \$1,000's of dollars worth of FREE GAS CARDS every month. Here are list of gas cards we have (Speedway, BP, Exxon, Texaco, Shell, Chevron, ARCO, Gulf Oil, Marathon, Sinclair, Speedy Cash, Sunoco, Conoco, Mobil, 76 and Phillips 66). To become a member, just complete and return this coupon back to us today with only \$39.95 money order only one-time membership fee to: S&U Gas Cards Club, 2112 Hollywood Drive, Suite 2A2, Jackson, TN 38305, Phone (731) 928-5601



Your Name _____
 Address _____
 City _____ State _____ Zip _____

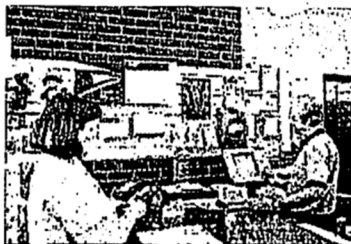
Code # 66

Code # _____

Code # _____

Our program is 100% Money Back Guarantee. You don't have nothing to lose.
 (c) 2009 S & U Gas Cards Club, Jackson, TN 38305

YOUR VERY OWN ≡ F - R - E - E ≡ POST OFFICE!



**A UNIQUE NEW SECRET WAY TO ACQUIRE
≡ F - R - E - E ≡ USPS POSTAGE STAMPS!**

◇ **AMAZING RESULTS** ◇

How Much Is The Secret Worth??? Remember, You Will Never Again Have To Buy Another Stamp!
I Will Show You Exactly How To Get Thousands Of ≡ FREE ≡ POSTAGE STAMPS ... FOREVER!

The Initial Cost Is Trivial, When You Compare It To ...

Thousands Of ≡ FREE ≡ Postage Stamps!

Order This Unique Secret NOW! Send Ten (10) First Class Stamps ~ That's Only
10 Stamps Altogether! Learn "How-To" Get Thousands of ≡ FREE ≡ Postage Stamps Simply & Easily!
Your Name & Address Personalized As The Prime Source! Order Today And Also Receive
The Coveted Bonus Report Entitled ... "Eleven Envelope Tricks"
That Will Show You "How-To" Always Get Your Envelopes Opened ...
Instead Of Trashed! And ... With This Ad Only,
Your Order Will Include FREE Offers Or Services From This Dealer!
Just One Offer Can Make You More Than The Cost Of The Entire Program!

ACT NOW!

◇ Order Today ~ Send 10 First Class Stamps To Prime Source Below ~ Print Clearly or Use Label ◇

Name _____

Address _____

City/State/Zip _____



Order From Prime Source:
Jackson
1259 E. 58th Street
Los Angeles • CA 90011-4825





THE MONEY UNION



A program where ALL members get benefits immediately after joining. WE PRINT AND MAIL 3,000 FLYERS FREE FOR EACH MEMBER...Here's how:

Each new member gets 1,000 flyers mailed for them in Box #1. When the next person joins he/she gets 1,000 flyers mailed free also. With your name in Box #2, you also get another 1,000 flyers sent. The next person joins, and they get 1,000 flyers mailed free. With your name in Box #3 you get another 1,000 mailed also. That's 3,000 flyers mailed out free with your name in Box 1+2+3. A great value!

Each person who signs up with you, immediately starts making money for you. Each response they get, brings in \$50 to you. When they mail, your name is on their flyer! Then your name is on the flyer of those they sign up! The money just keeps getting bigger!

In a very short period of time, your name will be on thousands of flyers that other members are mailing out, and you'll receive hundreds of \$50 payments without any further effort on your part.

It's "Residual Income On Steroids"

How to get started: Send \$50 to the Monitor and each Union Member below. Money orders, cash, or checks accepted. You will receive a camera ready copy of this flyer with your name in Box #1. Additionally, you receive a list of "print & mail" and "mailing list" sources. Also, (two) "How To" Guides in mail order. Join today!!

Monitor: L&M POB 70243 Washington, DC 20024

BOX #1

**RON D. WILLIAMS
1201 CAMBRIDGE ST
RIVER OAKS, TX 76114**

Send \$50 with a copy of this page

BOX #2

**L BUTLER
905 6TH ST SW # 301-B
WASHINGTON,DC 20024**

BOX #3

Send \$50 with a copy of this page

Name: _____ Phone _____

Address: _____ E-mail _____

City: _____ State: _____ ZipCode _____

Do you want your phone number on your flyer? YES NO E-mail address? YES NO

\$1.00 Residual Income Plan

Everyone will pay \$1 a month in order to receive hundreds of \$1 bills for themselves in exchange. Would YOU?

This is a highly responsive program. Even though this is just starting (best time to join a hot program is in the beginning) we already have reports of 50% response rate.

NOW THAT'S HOT!!

There are plenty of \$1.00 programs out there (you may have received some) but, they are only one time shots. (no real money in that)

Your camera ready original will have you in the #1 position. You gift everyone on the list that is listed below you, \$1 on the 1st of each month. Everyone that responds to your mailings, and those who respond to their mailings and so on for 7 levels up will be listed above your name. They will each send you \$1 a month. This can amount to 100's of dollars each month from a one-time effort.

**GET STARTED ON THIS GREAT BONANZA TODAY!
IN 3-6 MONTHS, YOU'LL BE GLAD YOU DID!**

Gift \$1 to each name on the list below with a clear completed copy of this flier and an additional \$3 with 5 stamps to the monitor; Monty Clark, for your typeset original and extensive marketing kit that will show you FREE mailings!

- 1 Barbara Jackson, 1259 E 58th St, Los Angeles CA 90011**
- 2 Carl Boyer, 1880 22nd St NW #3, Cleveland TN 37311**
- 3 Debra Hubbard, 203 Hamilton Dr, Chickamauga GA 30707**
- 4 Monty Clark, PO Box 3112, Cleveland TN 37320**
- 5 FREE SPACE (save \$1 a month)**
- 6 FREE SPACE (save \$1 a month)**
- 7 FREE SPACE (save \$1 a month)**

Inviting 10 others to join you is real easy and easy for those who join you and so on for 7 levels up. If everyone only has 10 enrollments, 3 levels up, you would be receiving \$1,000 per month. 4 levels up \$10,000 per month, 7 levels up pays a big \$1,000,000 per month. ALL THIS FOR ONLY \$1 PER MONTH.

**Name.....Address..... START
City.....State.....Zip..... TODAY!!!**